



# Instructions Manual

## CST531

### Insulation Stripper



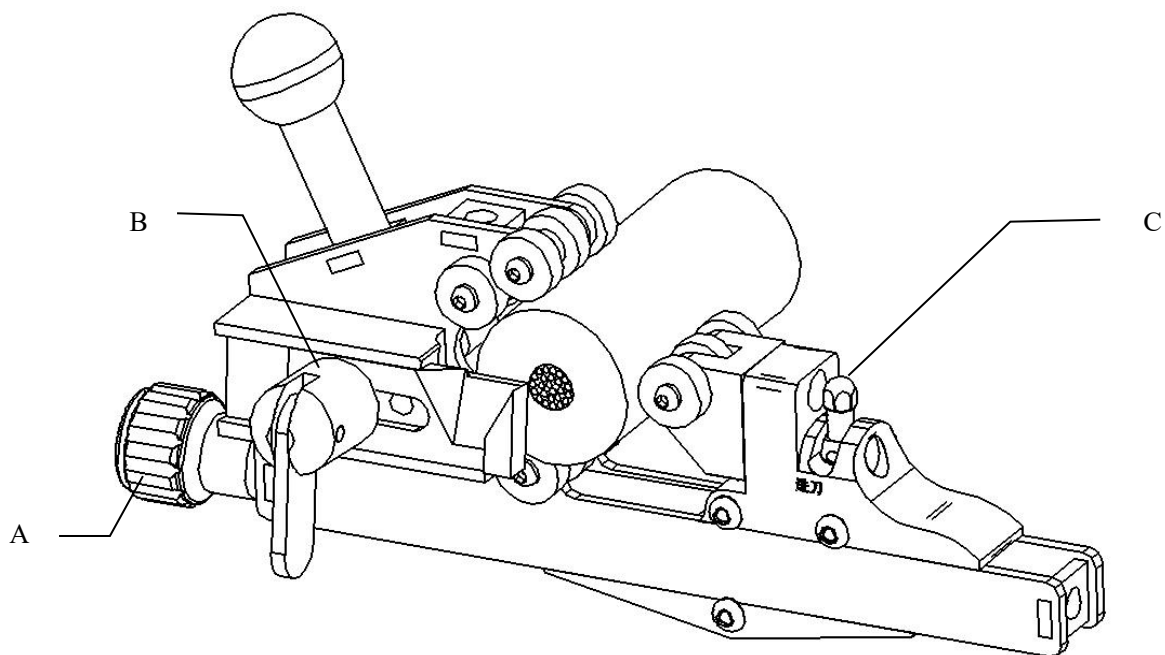
Safety Operating & Maintenance Instructions must be followed.

## Product Description:

- Suitable for 10-35KV power cable XLPE main insulation stripping;
- Reliable structure, easy to operate;
- Applicable diameter range:  $\phi 15\text{mm}$ - $\phi 54\text{mm}$ ;
- Applicable cable thickness: 12mm and below;
- Applicable stripping method: end stripping.

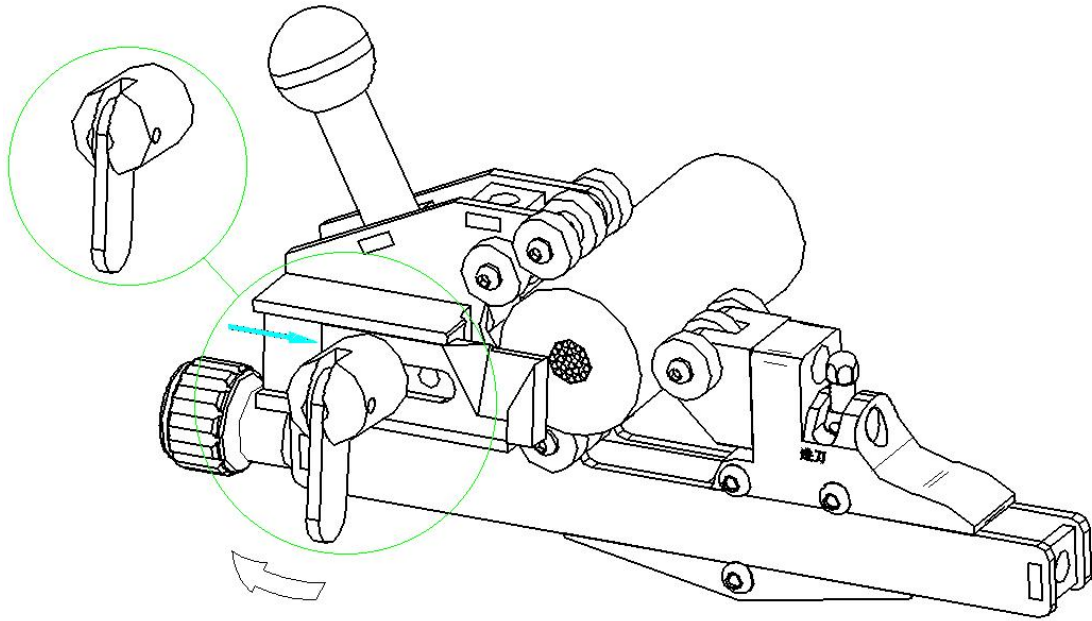
## How to use:

1. Turn the knob A to open the fixture, set the tool over the cable, and turn the knob A to clamp the fixture so that the tool is firmly seated on the main insulation of the cable, as shown in Figure below.

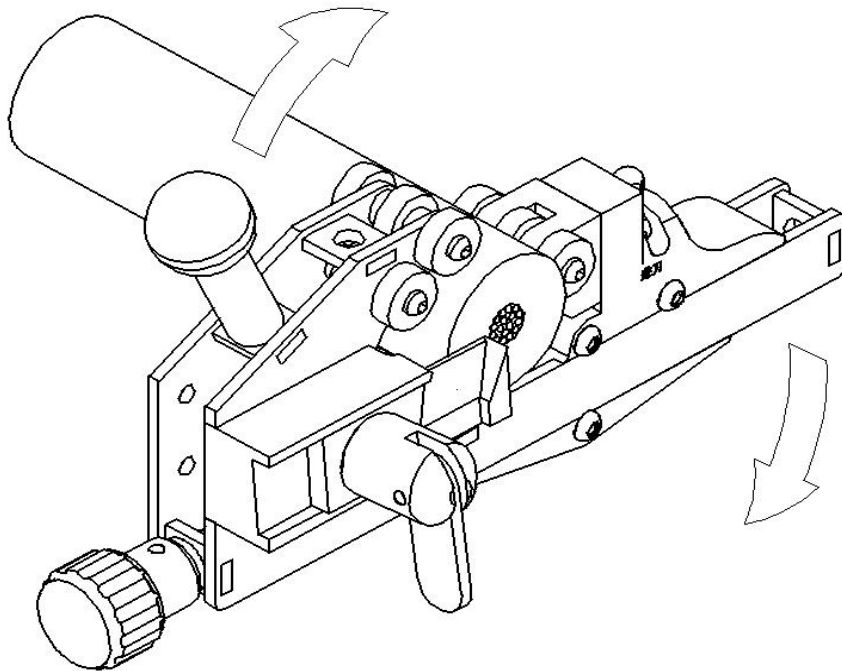


2. Rotate Loosen the handle B, manually remove the cutting blade, so that the blade reaches the main insulation and between the semi-conductive layer (careful not to scratch the cable core) and then

tighten the handle B, as shown in Figure below.



3. Adjust the knob C for the in feed position, clockwise rotate the tool, and slightly push to the direction of the cable, begin stripping work. After the stripping is completed, feed the knob C back to the flat cut, as shown in Figure below.





We shall in no event be liable for death, injuries to persons or property from the improper use and lack of maintenance of our product. Any doubt of safety operation and precaution, please contact with our distributor.



Please properly dispose of all packing materials and removed parts.